

ROCHESTER, NEW HAMPSHIRE

CODE ENFORCEMENT DEPARTMENT
DIVISION OF BUILDING INSPECTION

TELEPHONE: 603-332-3508

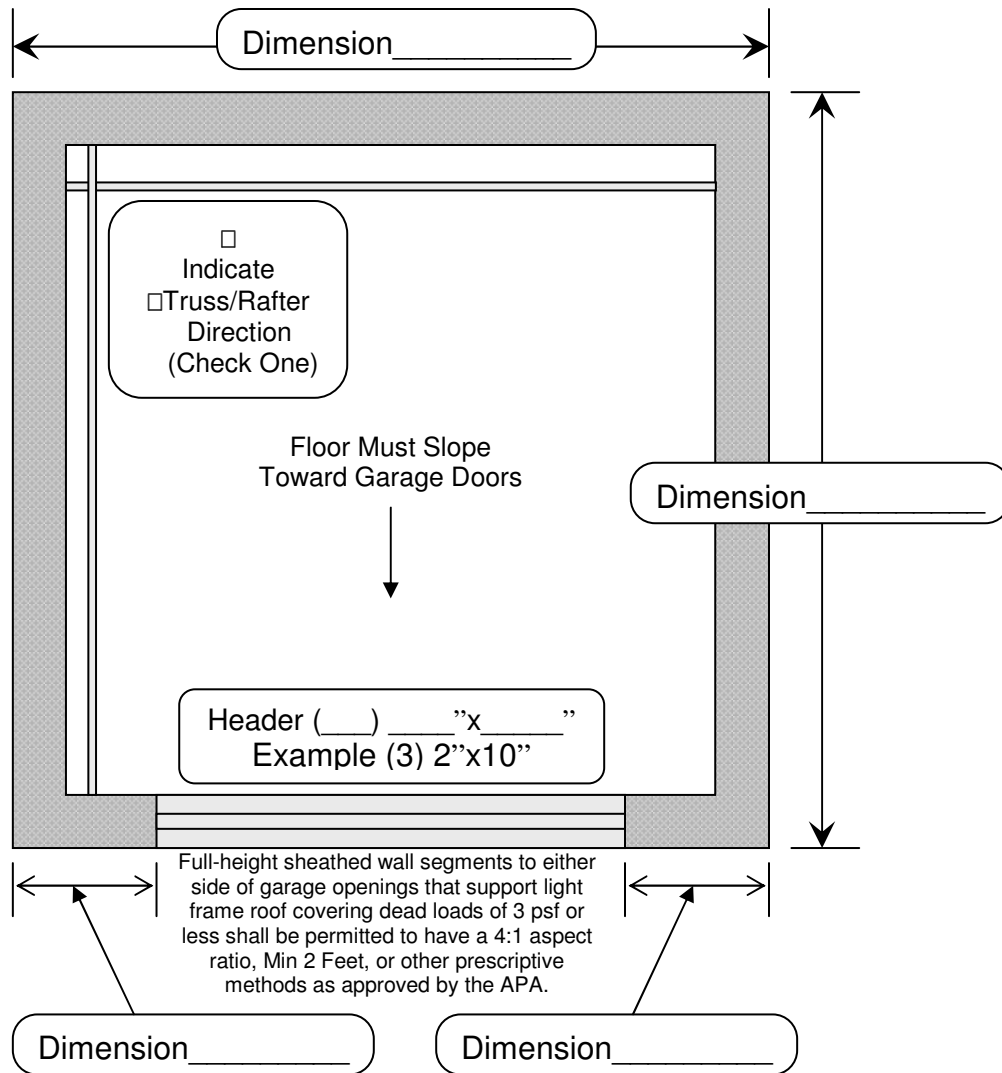
FAX: 603-509-1912

Attached Garage Handout

Based On 2009 ICC IRC

Page 1 of 3

For Residential Use Only



Foundations:

The Foundation System That The Garage Is Required To Have Must Be The Equivalent To The Foundation System Of The Structure That The Garage Is Going To Be Attached To.

Check One.

- The Home Is On A Monolithic Slab, The Attached Garage Must Also Be On A Monolithic Slab And Is Limited To A Maximum Dimension of 24'x24'
- The Home Is On A Frost Wall Type Foundation System, The Garage Will Be Required To Have A Minimum Of A 4' Frost Wall.

Single Story Minimum of
 2"x4" @ 16" On Center

One and A Half Story Minimum of
 2"x6" @ 24" On Center



ROCHESTER, NEW HAMPSHIRE

CODE ENFORCEMENT DEPARTMENT

DIVISION OF BUILDING INSPECTION

TELEPHONE: 603-332-3508

FAX: 603-509-1912

Attached Garage Handout

Based On 2009 ICC IRC

Page 2 of 3

For Residential Use Only

Minimum Setbacks:

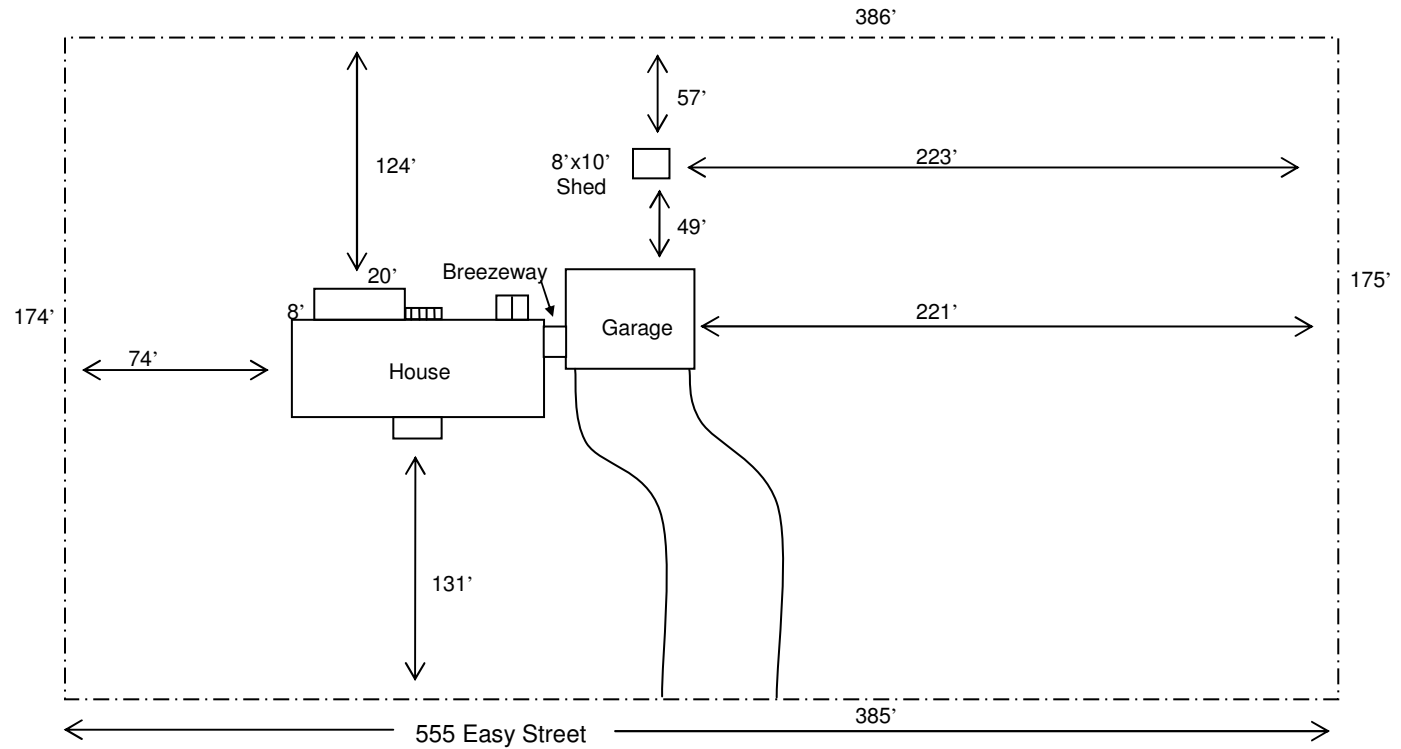
	Front Yard	Side Yard	Rear Yard	Distance From Other Buildings/Structures
Agricultural	35'	25'	50'	10'
Residential 1	25'	10'	25'	10'
Residential 2	15'	8'	25'	10'
Mobile Home Park	20'	15'	15'	10'

The Side And Rear Yards For Garages (Residential Use Only) In The Agricultural, Residence 1, And Residence 2 Districts Can Be Reduced By Special Exception, As Provided For In Section 42.23(c)(28)

A site plan must accompany the application for the Deck.

Steps To Obtain Building Permit

- Complete Page One And Two Of This Guide
- Fill Out Building Permit Application
- Provide Plot Plan On Back Of Building Permit Application
- Submit All Forms To Code Enforcement With Payment



Sample Site Plan



ROCHESTER, NEW HAMPSHIRE
 CODE ENFORCEMENT DEPARTMENT
 DIVISION OF BUILDING INSPECTION
 TELEPHONE: 603-332-3508
 FAX: 603-509-1912

Attached Garage Handout

Based On 2009 ICC IRC
 Page 3 of 3
 For Residential Use Only